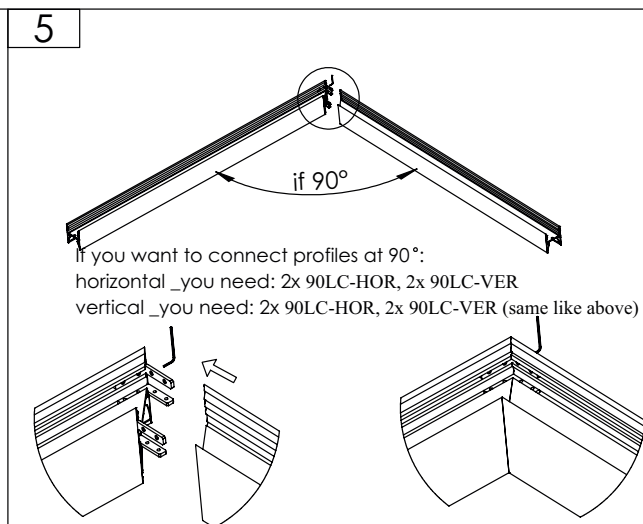
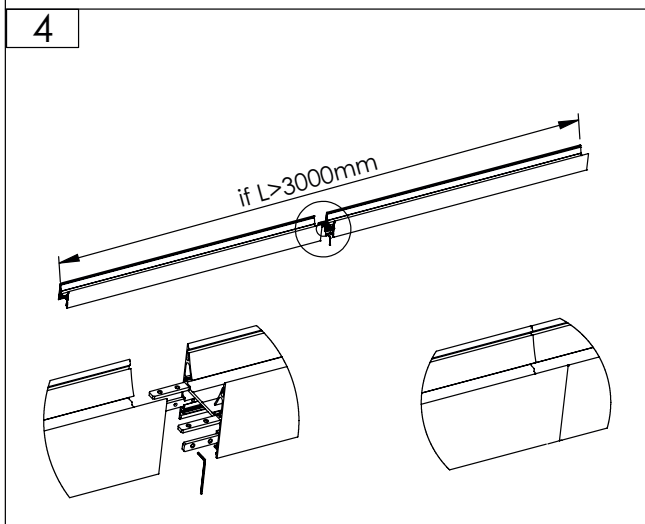
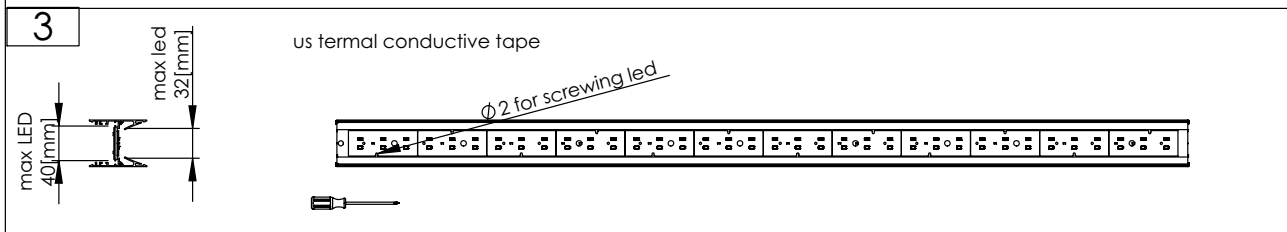
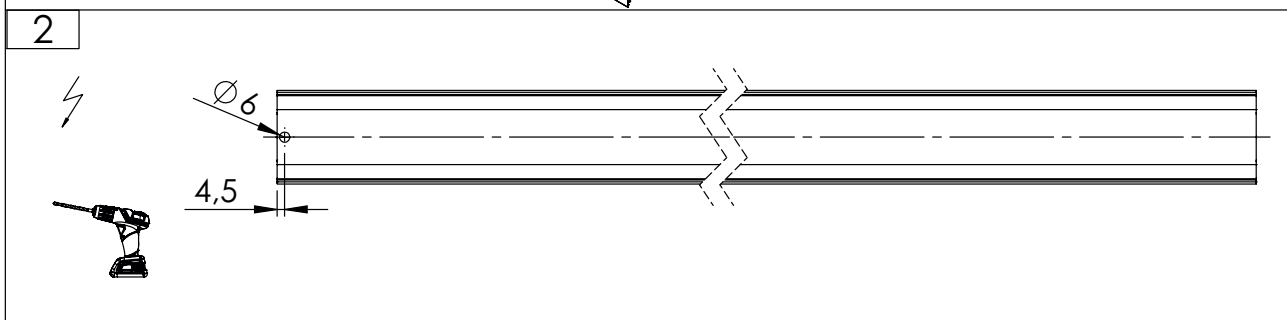
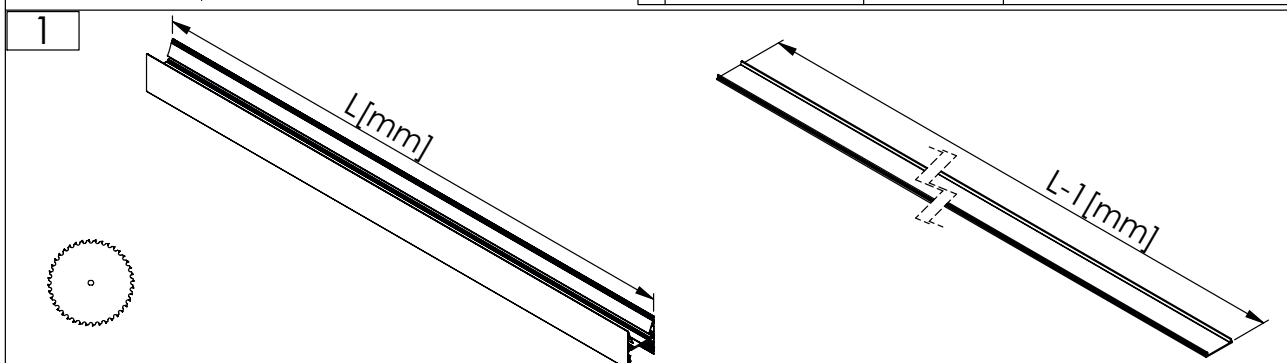


# POWERLINE 55 DOUBLE (PENDANT)

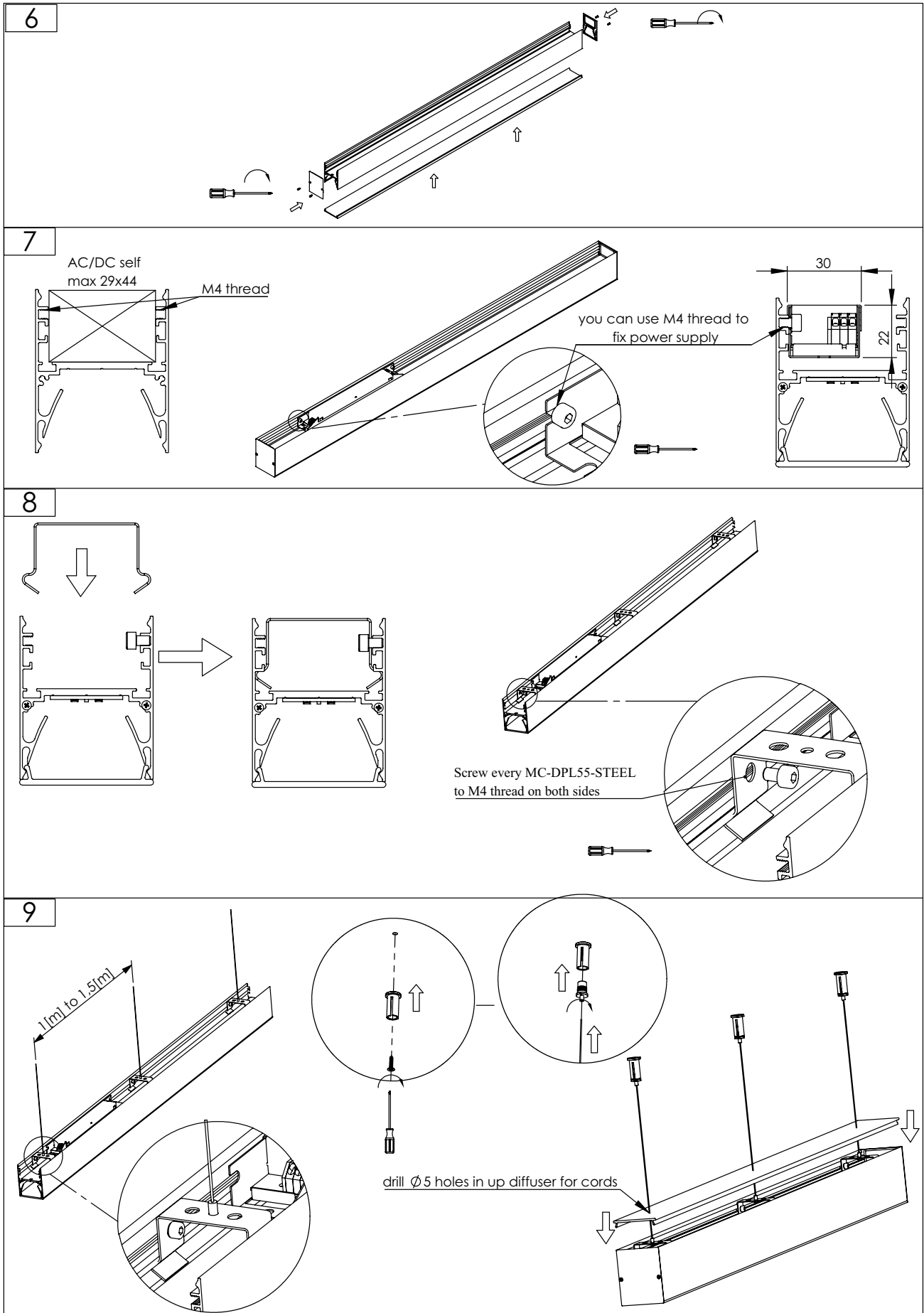
DPL55_PENDANT		Nr	Code	Comments	Quantity
1		1	AL-DPL55	aluminium profile 2 or 3[m]	1
2		2	EC-DPL55	end cap	2
3		3	DIN 7982 ST2.2x9,5		2 per EC_PL55
4		4	30x325 PCB with Osram Duris E5 LEDs	LED	3 per [m]
5		5	AB-PL55/PRI55-M/K	diffuser 2[m] or 3[m]	1
6		6	LC-LIN	profile >3[m]	4 per join
7		7	90LC-HOR		2 per join and 2 per join 90LC-VER
8		8	90LC-VER		2 per join and 2 per join 90LC-HOR
9		9	MC-CAB	cord, cord lock, fixity	2 per metr, 3 per 2 meter, 3 per 3 meter
10		10	MC-DPL55-STEEL	spring steel mounting bracket	2 per metr, 3 per 2 meter, 3 per 3 meter
11		11	DIN 913 M3x4		4 per 1: LC-LIN / 90LC-HOR / 90LC-VER



ALL RIGHTS RESERVED

1 / 2

# POWERLINE 55 DOUBLE (PENDANT)



ALL RIGHTS RESERVED

2/2