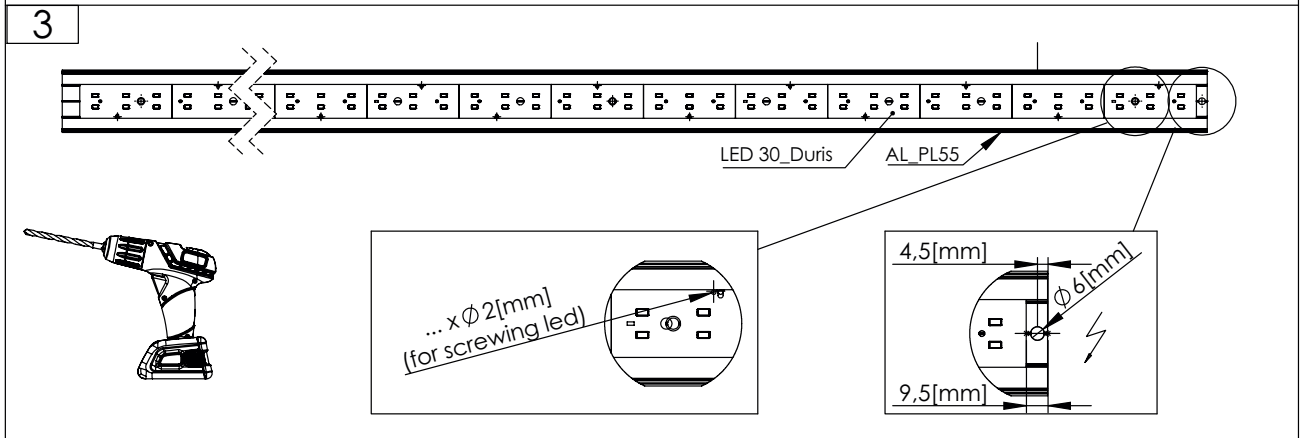
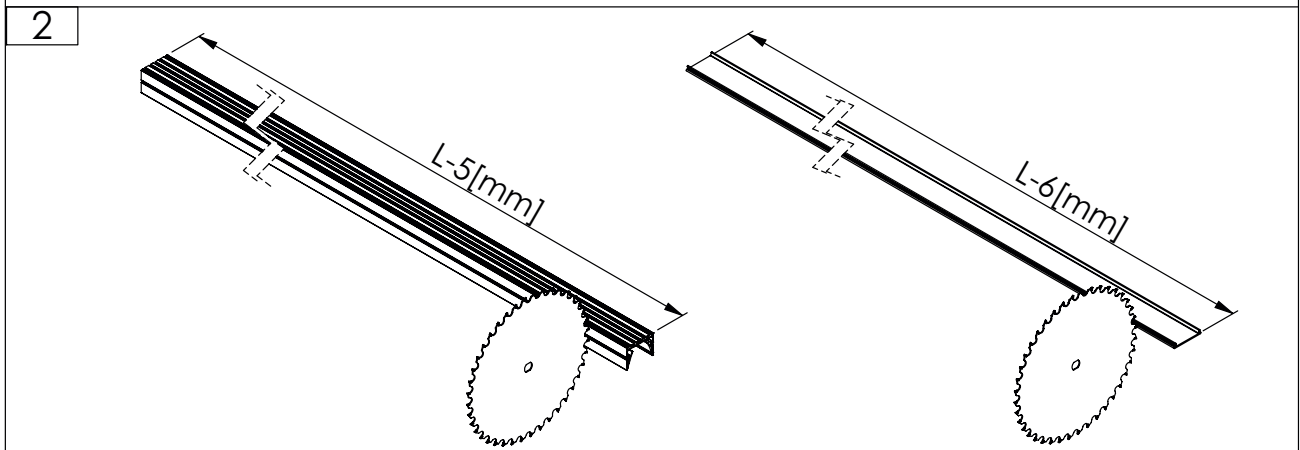
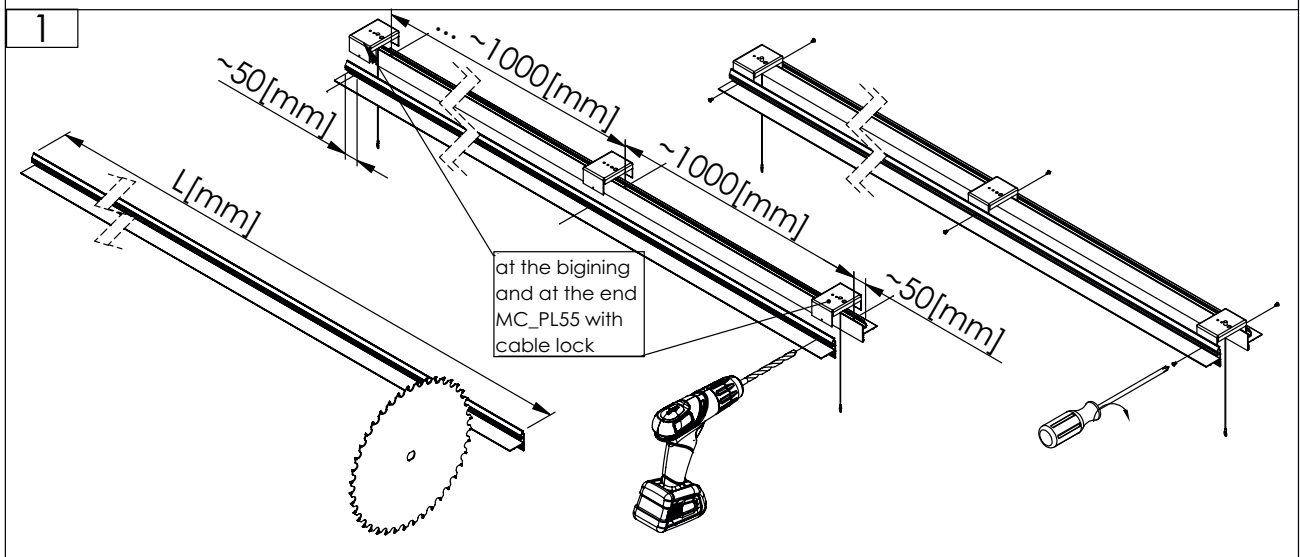
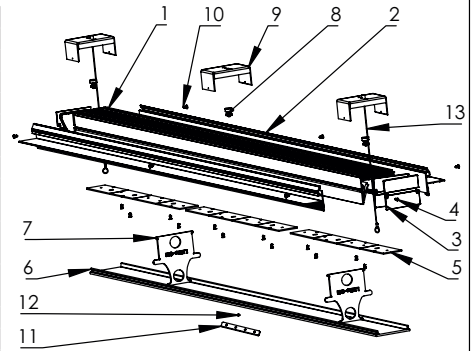
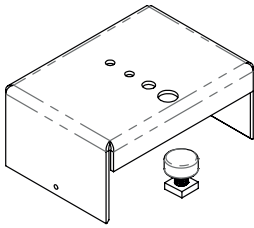
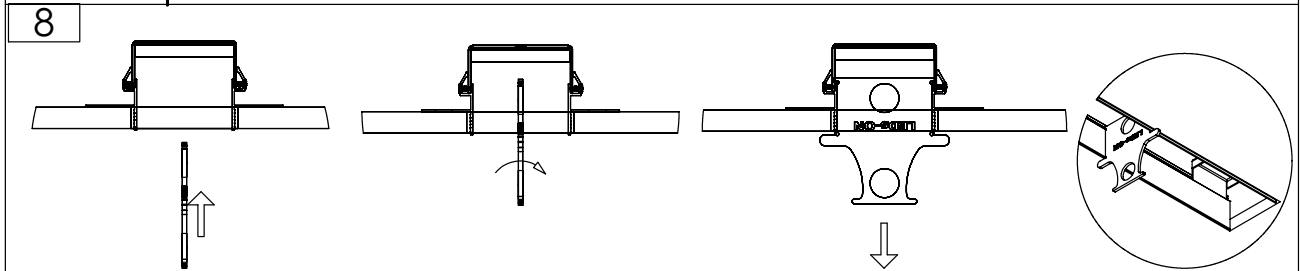
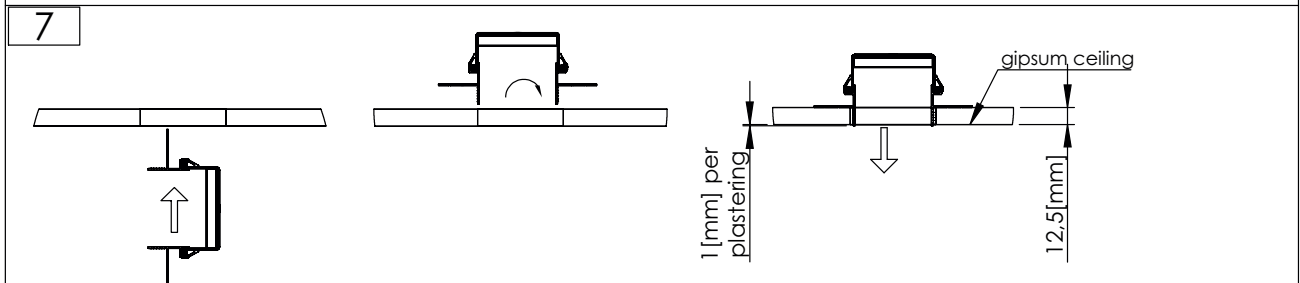
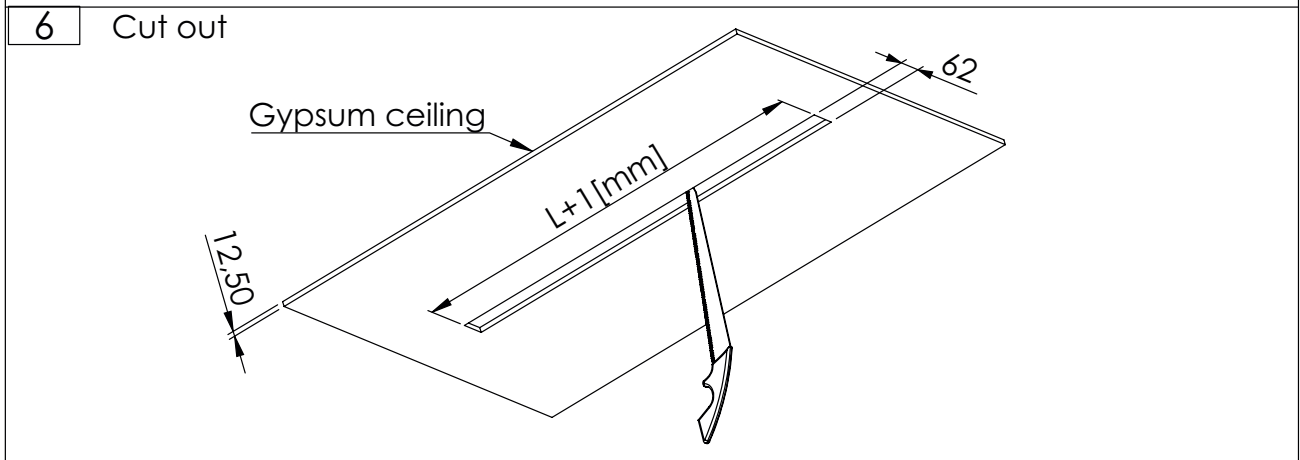
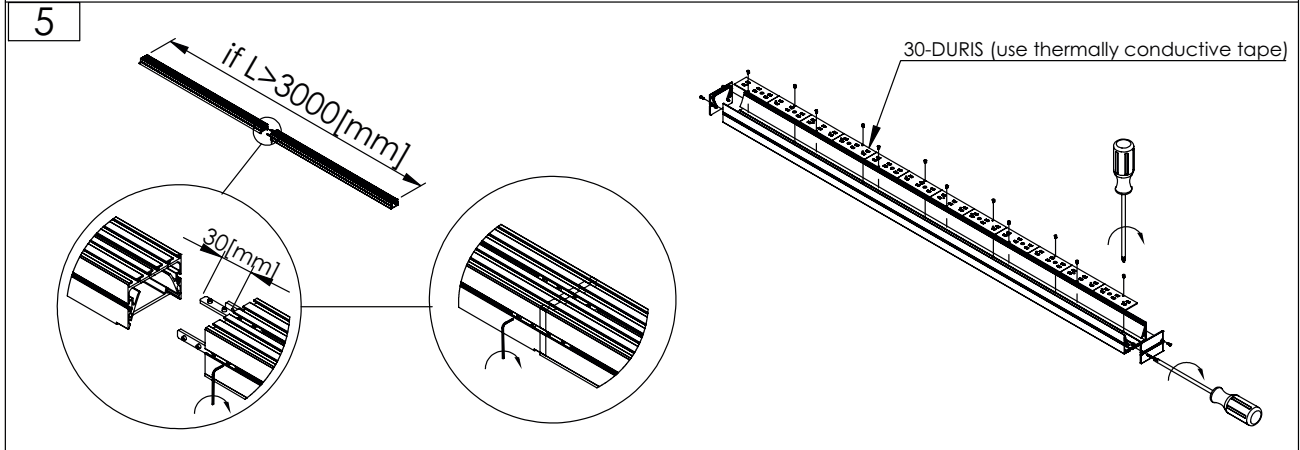
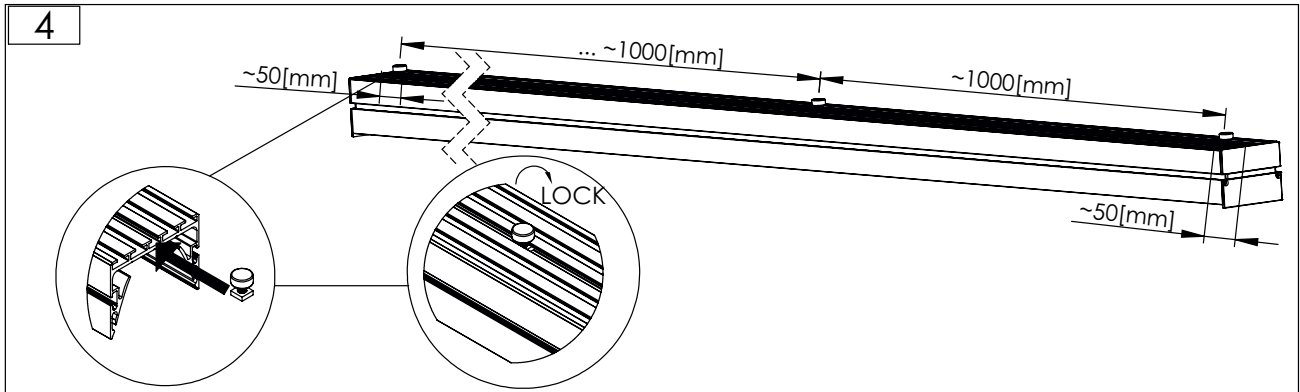


MULTI POWERLINE 55 (TRIMMLESS - VER. MAGNETS)

Nr.	Code	Comments	Quantity
1	AL-PL55	2[m] or 3[m]	1
2	AL-BA-TLESS	2[m] or 3[m]	2
3	EC-PL55		2
4	DIN 7982 ST2.2x13		2 per EC-PL55
5	30x325 PCB with Osram Duris E5 LEDs	LED	3 per [m]
6	AB-PL55	2[m] or 3[m]	1
7	MC-KEY-PL55		2 per 1[m], 3 per 2[m], 4 per 3[m]
8	MC-PL55-MAG		2 per 1[m], 3 per 2[m], 4 per 3[m]
9	MC-PL55		2 per 1[m], 3 per 2[m], 4 per 3[m]
10	DIN 7982 ST2.9x6.5		2 per MC_PL55
11	LC-SPL	profile >3[m]	3 per join
12	DIN 913 M3x4	profile >3[m]	4 per LC-SPL
13	MC-PL55-LOCK		2 per 1 luminaire



MULTI POWERLINE 55 (TRIMMLESS - VER. MAGNETS)



ALL RIGHTS RESERVED

MULTI POWERLINE 55 (TRIMMLESS - VER. MAGNETS)

