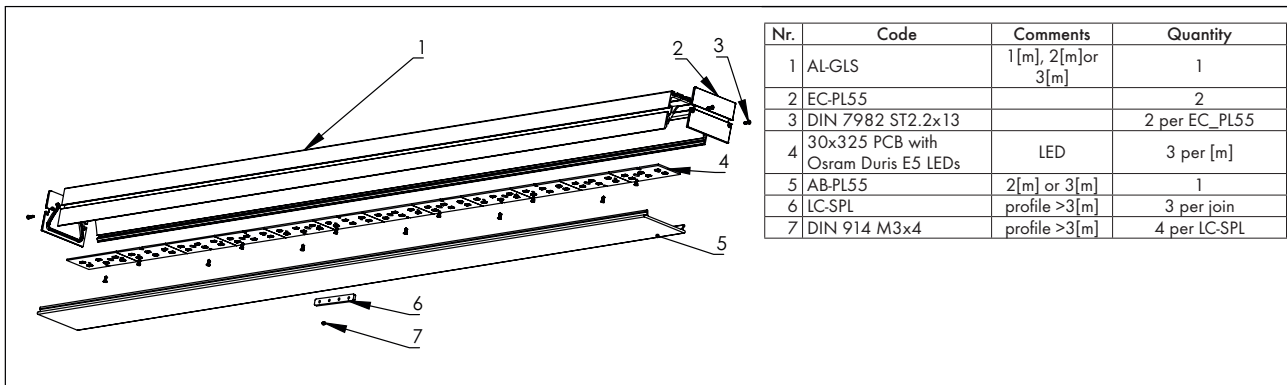
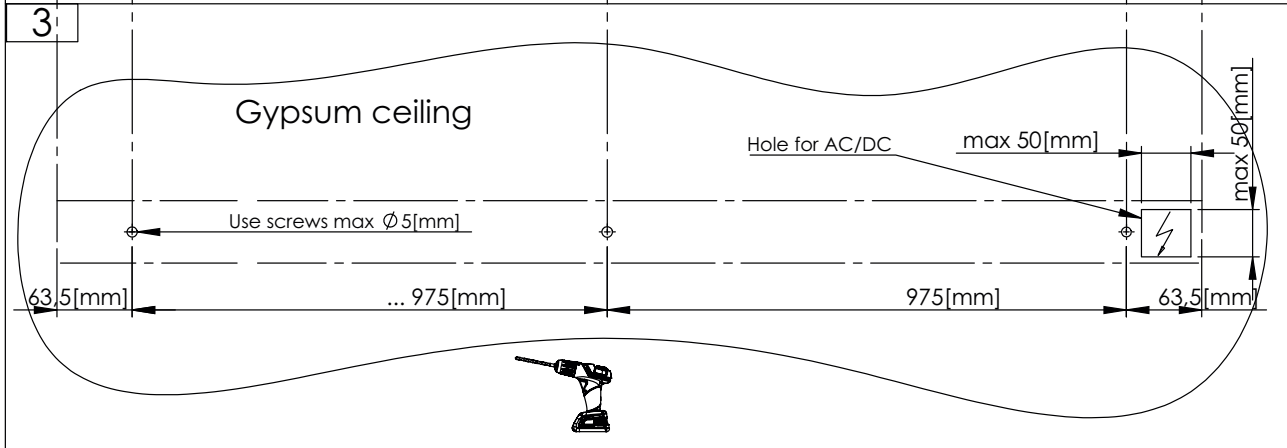
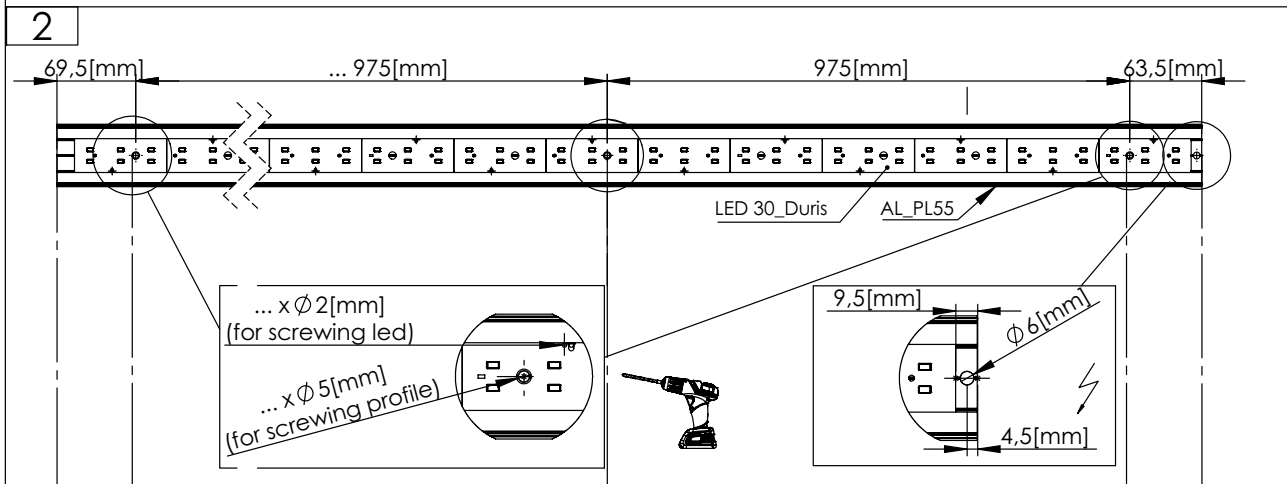
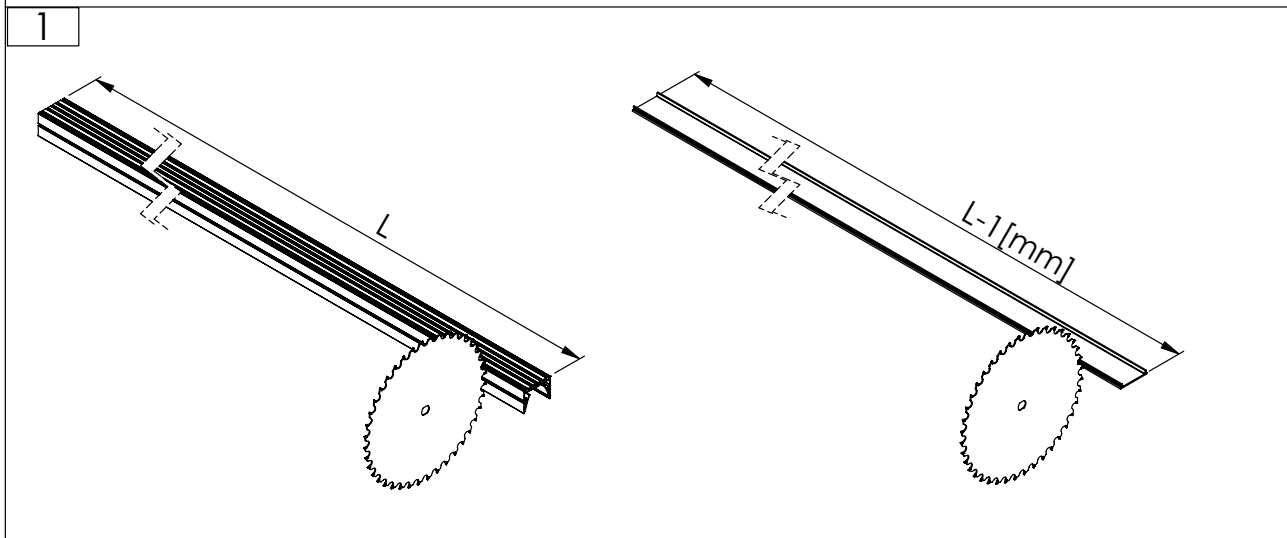


MULTI POWERLINE 55 (SURFACE MOUNT)



Nr.	Code	Comments	Quantity
1	AL-GLS	1[m], 2[m] or 3[m]	1
2	EC-PL55		2
3	DIN 7982 ST2.2x13		2 per EC_PL55
4	30x325 PCB with Osram Duris E5 LEDs	LED	3 per [m]
5	AB-PL55	2[m] or 3[m]	1
6	LC-SPL	profile >3[m]	3 per join
7	DIN 914 M3x4	profile >3[m]	4 per LC-SPL



MULTI POWERLINE 55 (SURFACE MOUNT)

