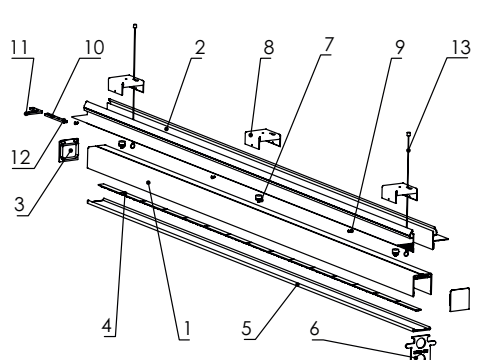
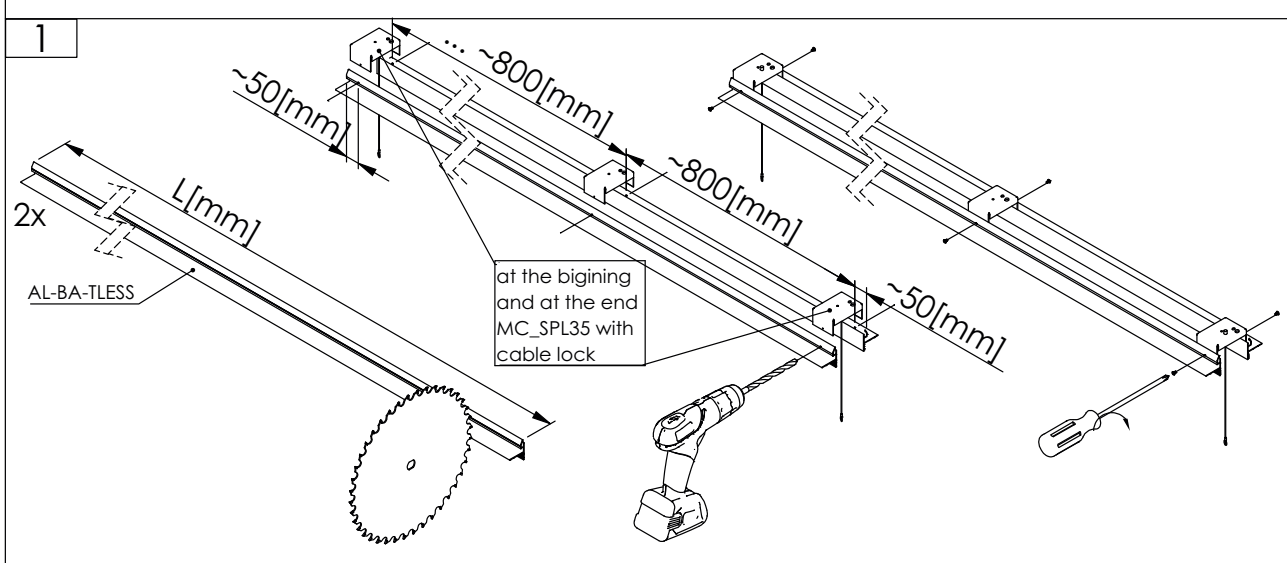
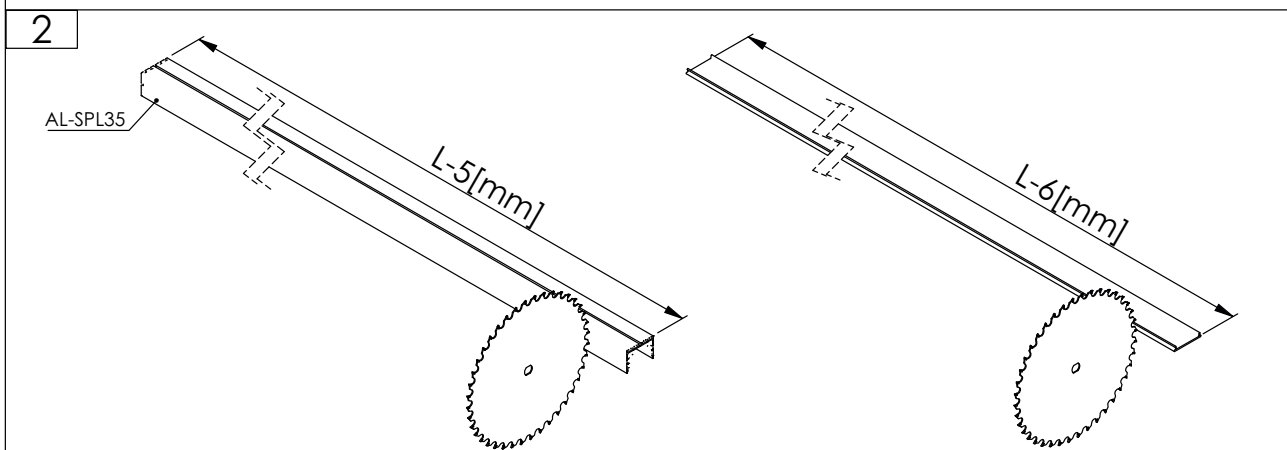
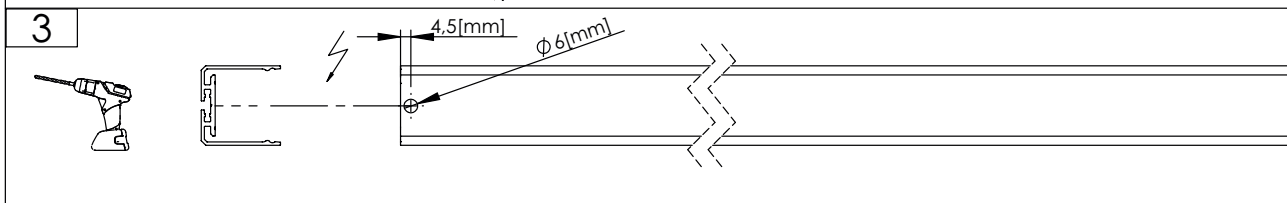
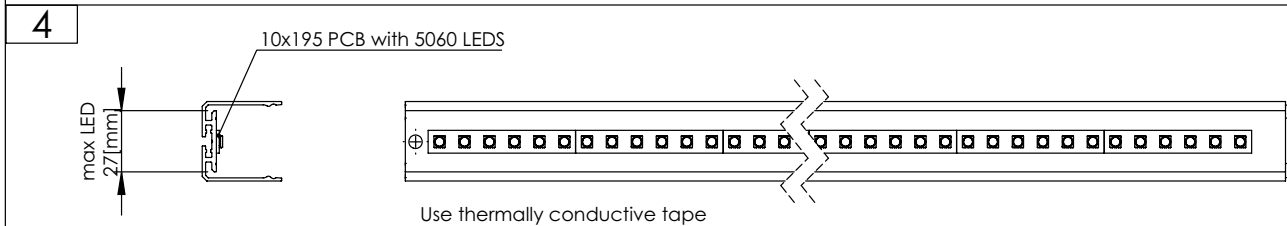
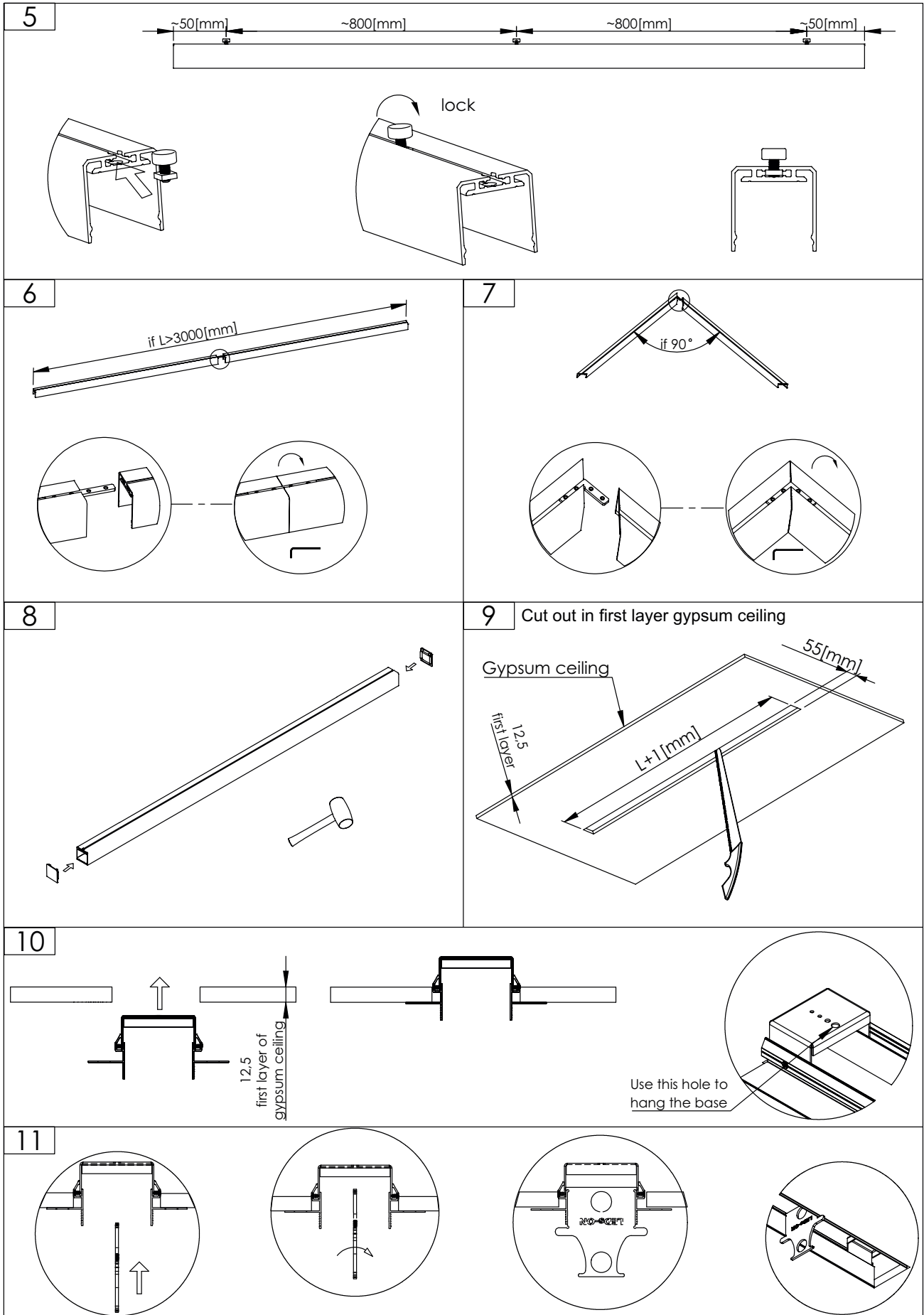


MULTI POWERLINE 35 SMOOTH (VER. MAGNETS 2 X 12,5 MM)

Nr.	Code	Comments	Quantity
1	AL-SPL35	3[m]	1
2	AL-BA-TLESS	2[m] or 3[m]	2
3	EC-SPL35	end caps	2
4	10x195 PCB with 5060 LEDs	LED	
5	AB-PL/PRI-K/M	1, 2 or 3[m]	1
6	MC-KEY-SPL35		1 per meter
7	MC-PL55-MAG		1 per 1 MC-SPL35
8	MC-SPL35		2 per 1[m], 3 per 2[m], 4 per 3[m]
9	DIN 7982 ST2.9x6.5		2 per MC_PL55
10	LC-SPL	profile >3[m]	1 per join
11	90LC-SPL	90° linear connector	1 per join
12	DIN 913 M3x4	profile >3[m]	4 per join
13	MC-PL55-LOCK	profile >3[m]	2 per 1 luminaire

MULTI POWERLINE 35 SMOOTH (VER. MAGNETS 2 X 12,5 MM)



SZ
S

MULTI POWERLINE 35 SMOOTH (VER. MAGNETS 2 X 12,5 MM)

